

# Model 878752 Suppression System Abort Station



K-84-10

Effective: June 2018

## FEATURES

- **Flush or Surface Mount**
- **One Normally Open Contact**
- **Sized for Double Gang Box**
- **Large Yellow Push Button Switch**
- **Abort Station Becomes Addressable SLC Device with installation of one (1) Model AI Addressable Monitor Module, N.O.**
- **UL, ULC Listed**

## DESCRIPTION

The Kidde® Model 878752 Abort Station features a large, easy-to-operate abort push button. The momentary type switch is very easy to see due to its highly visible yellow color. The abort station stainless steel faceplate is clearly labeled with operation procedures.

The Backbox is painted with red enamel and is provided with four 1/2-inch knockouts. The pre-drilled and tapped mounting tabs allow for easy attachment of the abort station.

To make the Abort Station an addressable SLC device for use with Kidde intelligent control units operating SmartOne® protocol, one Model AI monitor module (purchased separately) must be installed into the backbox. The Model AI monitor module is seated inside a bracket (included) and easily installs with two mounting screws.

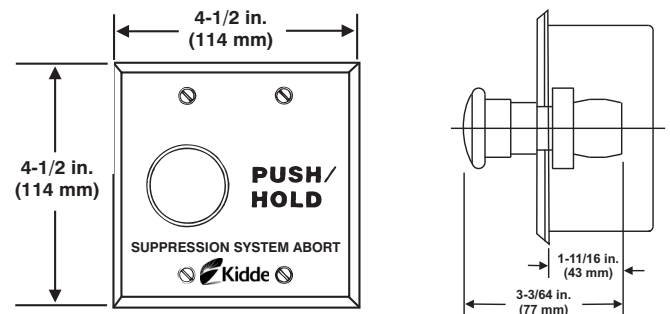
## TECHNICAL SPECIFICATIONS

**Electrical Ratings:** One normally open momentary contact, rated 2.5 Amps @ 120 Vdc

**Ambient Temperature:** -13°F to 158°F (-25°C to 70°C)

**Terminals:** Captive screws and saddle clamps accept 14 AWG to 24 AWG wire

**Mounting:** Four 6-32 x 1/2-inch mounting screws included



## ORDERING INFORMATION

Part Number	Description	Shipping Weight
84-878752-010	Abort Station	2 lb. (0.9 kg)
06-236881-001	Backbox, Red	1 lb. (0.45 kg)
70-417008-001	Model AI Addressable Monitor Module, N.O. (includes bracket)	5 oz. (145 g)
84-878752-110	Canadian-style Abort Station for compliance with ULC S527-11 (3rd edition). Blue faceplate with white raised lettering	2 lb. (0.9 kg)

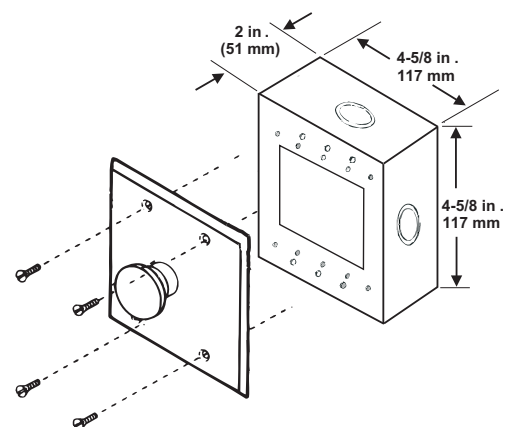


Figure 1. Dimension Details

Kidde and SmartOne are registered trademarks of Kidde-Fenwal, Inc., or its parents, subsidiaries or affiliates.

This literature is provided for informational purposes only. KIDDE-FENWAL, INC. believes this data to be accurate, but it is published and presented without any guarantee or warranty whatsoever. KIDDE-FENWAL, INC. assumes no responsibility for the product's suitability for a particular application. The fire suppression system design, installation, maintenance, service and troubleshooting must be performed by trained, authorized Kidde Fire Systems distributors for the product to work correctly. If you need more information on this product, or if you have a particular problem or question, contact: KIDDE-FENWAL, INC., Ashland, MA 01721 USA, Telephone: (508) 881-2000.



K-84-10 Rev AD  
©2018 Kidde-Fenwal, Inc.

**EXPORT INFORMATION (USA)**  
Jurisdiction: EAR  
Classification: EAR99  
This document contains technical data subject to the EAR.

Kidde Fire Systems  
400 Main Street  
Ashland, MA 01721  
Ph: 508.881.2000  
Fax: 508.881.8920  
[www.kiddefiresystems.com](http://www.kiddefiresystems.com)